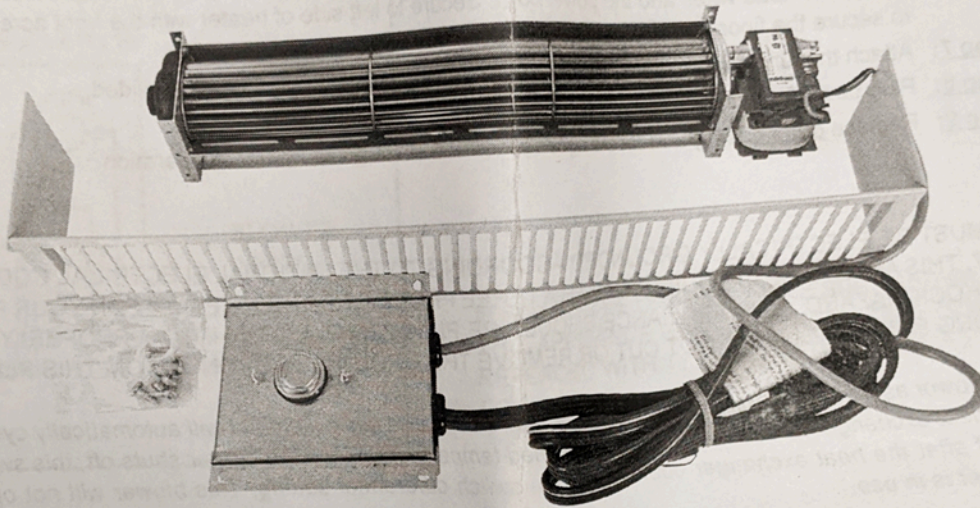




MODEL DVB-3 Installation Instructions Optional Blower Kit

Install only on series:
CDV15-B & C, CDV25-B & C or CDV33-B & C



MODELO DVB-3 INSTRUCCIONES DE INSTALACIÓN EI OPCIONAL KIT DEL SOPLADOR

Instale solamente en las series:
CDV15-B & C, CDV25-B & C o CDV33-B & C

PÁGINA 4

MODEL DVB-3 NOTICE D'INSTALLATION - KIT SOUFFLEUR OPTIONEL

Installez uniquement sur les series:
CDV15-B & C, CDV25-B & C ou CDV33-B & C

PAGE 6

MODEL DVB-3 OPTIONAL BLOWER KIT INSTALLATION INSTRUCTIONS

Install Only on CDV15-B & C / CDV25-B & C / CDV33-B & C Series

- Step 1:** Remove outer casing.
- Step 2:** Remove floor shield from bottom of heater and disconnect piezo wire.
- Step 3:** Remove and discard cover shield.
- Step 4:** Attach blower to bottom of floor shield using screws saved in step 3.
Note: blower motor should be on opposite end from piezo.
- Step 5:** For models cdv25/33-b&c, secure p/n 43635 wire guard to bottom of heat shield using two (2) #8x1/2" screws provided. See Figure 1.
- Step 6:** Connect piezo wire and attach floor shield to heater. Slide the white cable clamp (provided) over both motor lead wires and the power cord. Secure to left side of heater with the front screw used to secure the floor shield.
- Step 7:** Attach the junction box to left side of wrapper using four #8x1/2" screws provided.
- Step 8:** Plug power cord into a 115 volt grounded outlet.
- Step 9:** Replace outer casing and follow lighting instructions to place heater in operation.

THE UNIT MUST BE ELECTRICALLY GROUNDED ACCORDING TO THE NATIONAL ELECTRICAL CODE ANSI/NFPA NO. 70-1987. THIS APPLIANCE IS EQUIPPED WITH A THREE PRONG GROUNDING PLUG. FOR YOUR PROTECTION AGAINST SHOCK HAZARD, THIS APPLIANCE SHOULD BE PLUGGED DIRECTLY INTO A PROPERLY GROUNDED THREE-PRONG RECEPTACLE. DO NOT CUT OR REMOVE THE GROUNDING PRONG FROM THIS PLUG.

NOTE: This blower assembly is equipped with a temperature activated fan switch that will automatically cycle the blower on when the heat exchanger has reached a predetermined temperature. Once the burner shuts off, this switch will cycle the blower off after the heat exchanger cools to the fan switch differential setting. This blower will not operate unless the main burner is in use.

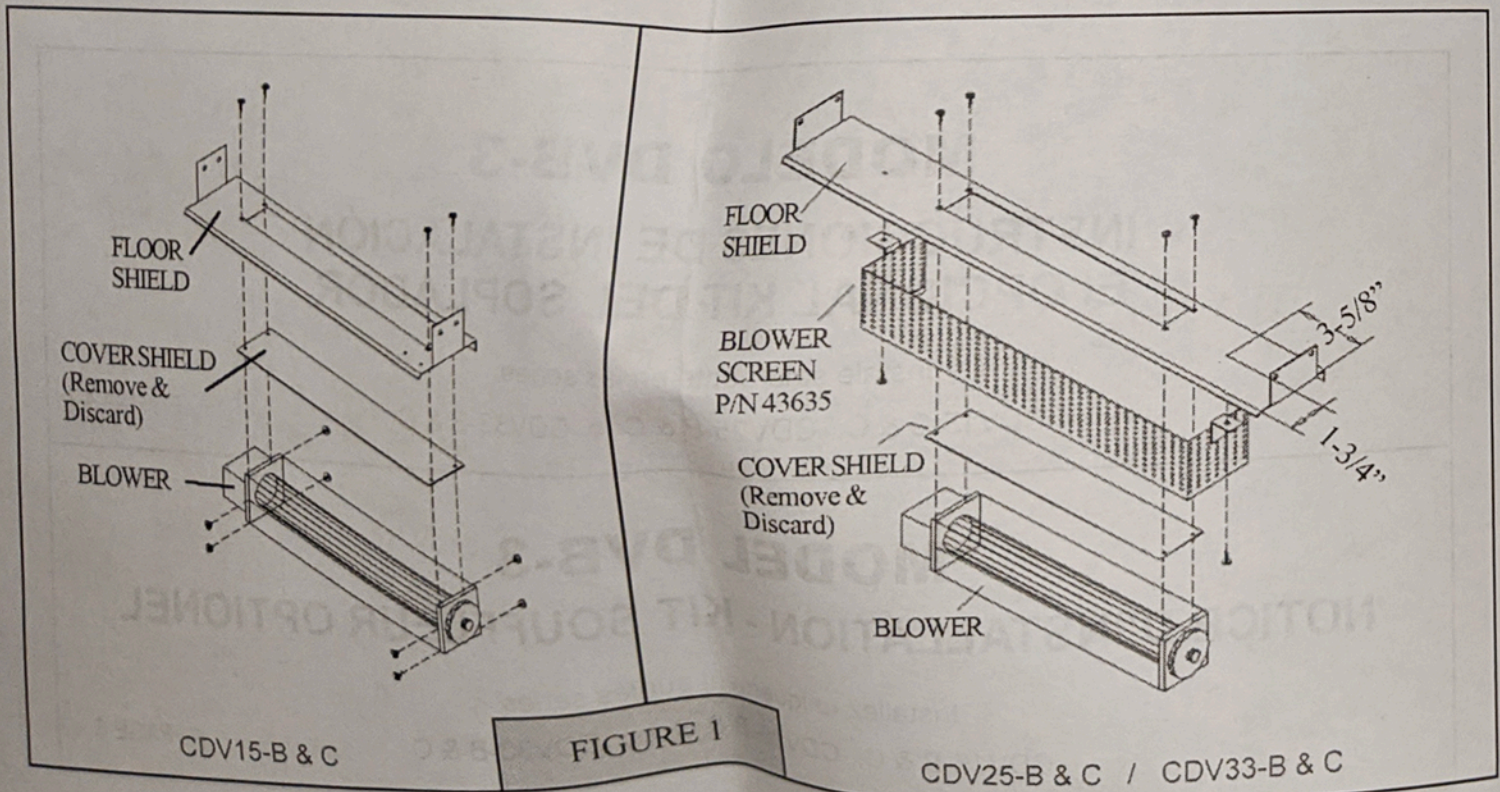
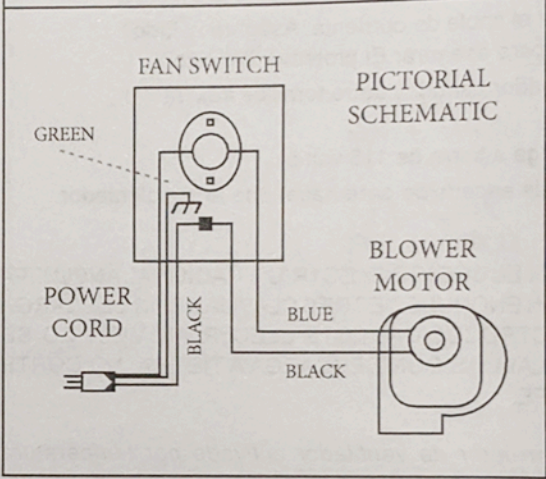
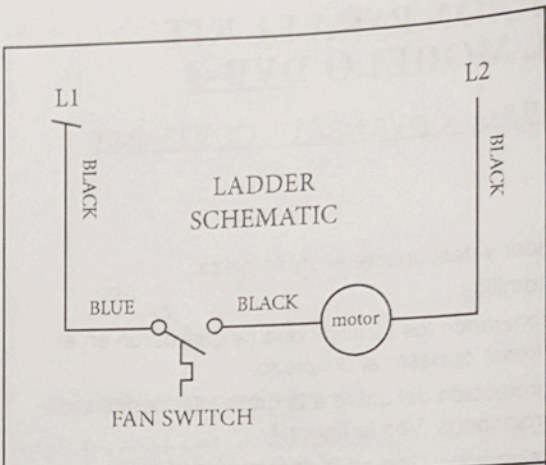


FIGURE 1



PART DESCRIPTION

PART NO.

Blower Housing w/ Motor & Blower	70201
Junction Box	43610
Junction Box Cover	43620
Fan Switch 120 Degree	70110
Cord Set	80202
Cover Plate	43078
Blower Screen CDV25/33 B&C	43635

IF ANY OF THE ORIGINAL WIRE SUPPLIED WITH THIS APPLIANCE HAS TO BE REPLACED, IT MUST BE REPLACED WITH TYPE 105 DEGREE C WIRE OR ITS EQUIVALENT.

